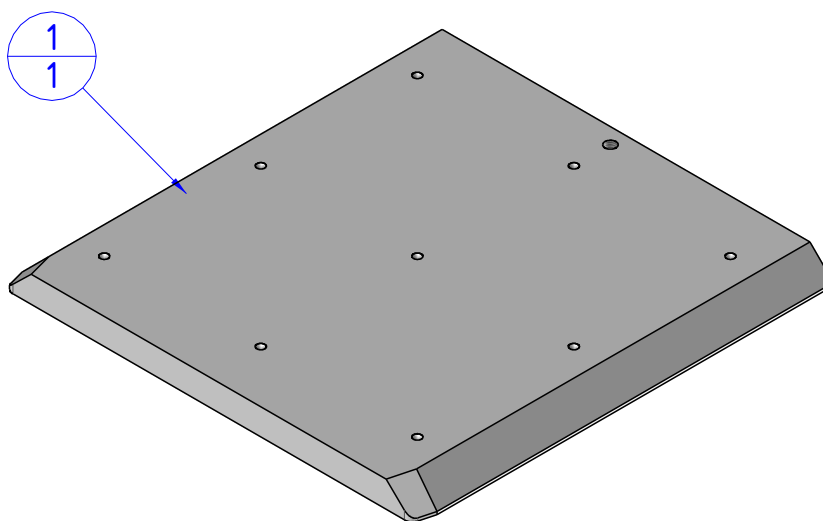
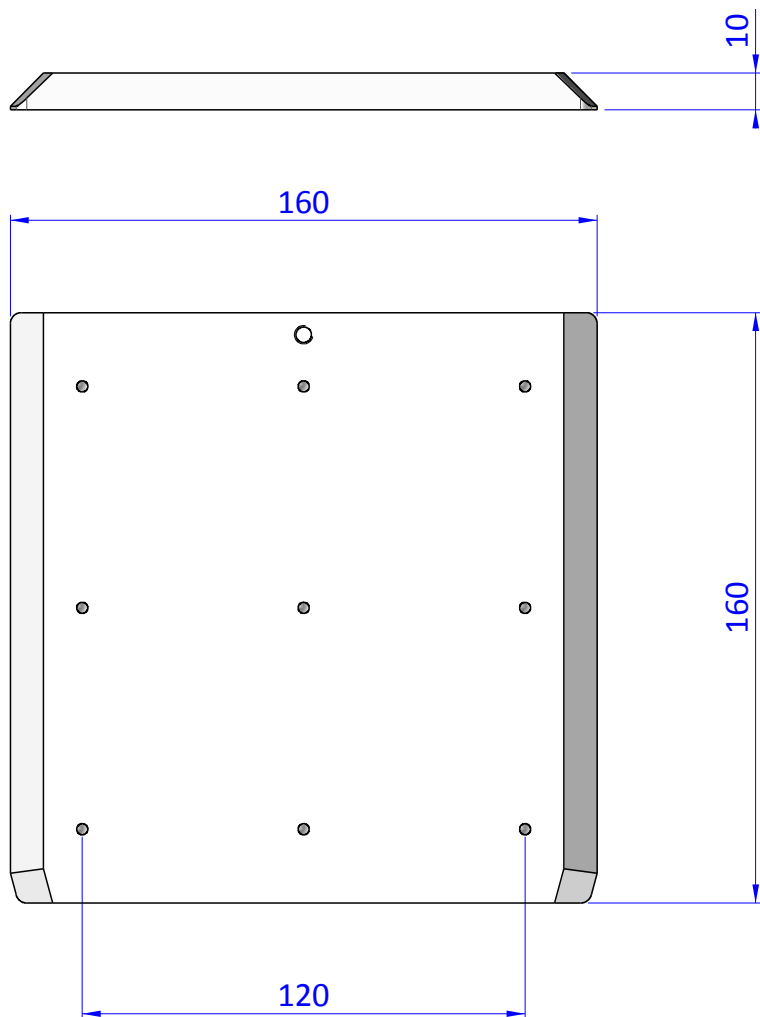

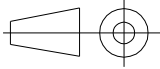


THE PROPERTY OF THE DRAWING IS ESTABLISHED BY LAW. IT IS FORBIDDEN TO PRODUCE OR SHOW IT TO THIRD PART. WITHOUT A WRITTEN AGREEMENT.

Item	Name	Qty.
1	GPM2	1



Format A4 UNI 936-76	 FPS FPSERVICES AUTOMATION			DESIGNED FROM	FPS Automation	REVIEW	A
	GENERAL TOLERANCE	DESCRIPTION		DATE	04/09/2018	WEIGHT	0,653kg
	UNI - ISO 2768	CA.GPM2		CODE	CA.GPM2		
CLASSE f							